

# we like X ...



*Luxura*  
by Hapro

I like!











we like X<sub>10</sub> ...





## we like luxury

Luxura X<sub>10</sub> clearly is the most sophisticated product within the Luxura range of sunbeds. Its combination of cool design and powerful efficiency offers an extraordinary tanning experience. Luxura X<sub>10</sub> comes in the attractive colours Crystal White, Pearl White and Arctic Blue. The special X<sub>10</sub> Admoresphere Edition gives an irresistible appeal.

X<sub>10</sub> not only looks great with its beautiful design. The spacious tunnel also offers that extra bit of comfort. While tanning with the closed canopy, the sunbather has lots of space to feel comfortable and free.



X<sub>10</sub> Arctic Blue





X<sub>10</sub> Crystal White, SLi+



contour  
PLUS

XL  
LIGHT



- ContourPlus, the ergonomically shaped reclining acrylic surface, makes lying down as comfortable as can be

The clear operating display offers the tanner control of the tanning session. It is positioned centrally in the canopy for easy access.

When it comes to body cooling, Luxura X<sub>10</sub> offers even more. Various openings throughout the length of the canopy provide a comfortable body cooling for the perfect climate.

- CliMax, the Luxura air conditioning system.

- Smart cooling - a unique cooling system that reacts intelligently and efficiently to the temperature of the sunbed. It starts the session very quietly and the ideal feel-good temperature is soon reached in the sunbed. Tubes reach optimal operation temperature faster - for the best tanning results and tube efficiency.





# we like it colourful



Luxura X<sub>10</sub> has beautiful DecoLight, which invites tanners immediately and adds an atmosphere of well-being. The decorative lights accent the design from the outside as well as from the inside of the canopy. The X<sub>10</sub> will look appealing at all times - even in standby mode.

## looking for more?

The special X<sub>10</sub> Admoresphere edition features Ambient FlowLight with 15 flow programmes for beautiful colour effects or 30 constant colours to change just as you like. It gives the sophisticated design an irresistible appeal. A real eye-catcher.



X<sub>10</sub> Pearl White

X<sub>10</sub>

we like the perfect  
admoresphere



ambient  
flow  
LIGHT



X<sub>10</sub> Admoresphere Edition





# we like choices



X<sub>10</sub> Crystal White, SLi

With X<sub>10</sub> you can make your choice, many choices in fact. Different optional tubes (46 or 52), face tanners and filters turn X<sub>10</sub> into your individual sunbed.

#### SLi

- High pressure face tanner with halogen lamps placed behind a filter
- High pressure lamp is positioned horizontally with smart parabolic reflector
- 520 W in X<sub>10</sub> only

#### SLi +

- High pressure face tanner with halogen lamps placed behind a filter
- High pressure lamp is vertically positioned in a premium quality reflector housing with a stunning visual diamond reflection for optimum output
- Exclusively available for X<sub>10</sub>, standard on 52 versions, optional for 46 lamps versions
- Switchable wattage on SLi and SLi+ for variable strength



X<sub>10</sub> Arctic Blue, SLi+





X<sub>10</sub> Admoresphere Edition



The Luxura SLi technology offers several choices: learn about the special qualities and select the optimum filter that suits the studio strategy and will meet the expectations of the clients.

**SPS: Standard Power System**

- This powerful face tanner gives extra attention to the face. The dark blue filter glass allows effective UVA output for direct pigmentation.

**BPS: Balanced Power System**

- The combination of the lamps and the mirror filter glass is especially developed to get a perfect balance of UVA and UVB up to the optimum allowed by the EU norm of the 0,3 W/m<sup>2</sup> and UV-type III. For skin stimulation and a nice warm effect, the BPS also puts some infrared through.

**HPS: High Power System**

- Intense tanning performance is guaranteed by the HPS filter. This created the most effective combination of UVA - UVB and infrared. The strong combination creates a perfect deep tan with immediate results.



# we like it refreshing and entertaining

With Qsens, a cool mist is sprayed all over the user's body during the tanning session. Tanners choose to enjoy the fixed intervals or manually activate the cool mist for refreshment. X<sub>10</sub> has two nozzles, perfectly placed to cool off the sunbather's body and enhance his overall feeling of well-being. That's more than refreshing.

With Xsens I you can select one out of three fragrances (Ocean, Blossom or Sandelwood). The Xsens III offers all three fragrances and leaves the choice to the tanner, who can select and switch while tanning.



SoundAround Basic offers standard four external channels that can be set according to the owner's preferences. It comes standard with My MP3, four loudspeakers and subwoofer for an amazing sound. As an upgrade, X<sub>10</sub> is also available with SoundAround Plus featuring two additional pre-programmed internal music channels with pre-installed SD cards.

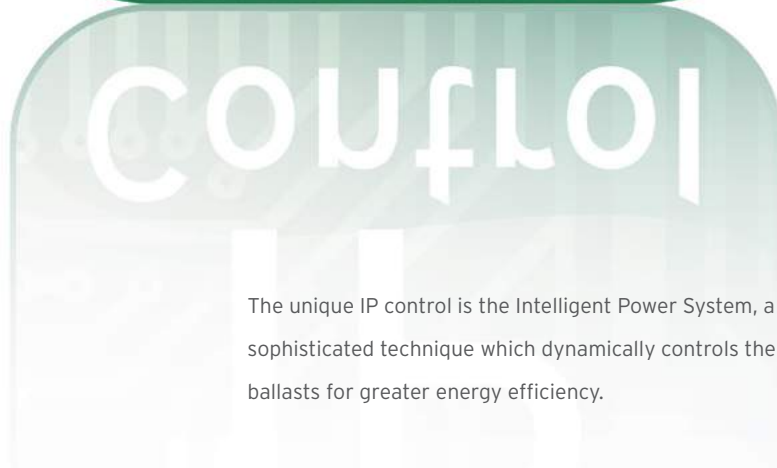
With SmartVoice, the sunbather is guided through the various functions by a pleasant female voice - SmartVoice is available in many different languages.

Thanks to the Luxura Bluetooth system sun worshippers can wirelessly stream their own music during the tanning session. A connection can easily be established from a smartphone or tablet to the sunbed's Bluetooth receiver. A unique aspect of this system is that it lets you, the operator, set each booth or sunbed's number and the access code so the user can quickly and easily connect to the right one. Also handy: while streaming the tanning patron can receive incoming calls as usual. When a call is received the music is muted and the conversation takes place privately, via the mobile phone. At the end of the session the Bluetooth connection is automatically ended.



# CHIP Tuning

Intelligent controls result in greater energy efficiency



The unique IP control is the Intelligent Power System, a highly sophisticated technique which dynamically controls the electronic ballasts for greater energy efficiency.

This intelligent supplementary module controls the power supply for the tubes and keeps the degree of impact during the lifespan of the lamps consistently optimal at the EU recommended level of 0,3 Watt/per m<sup>2</sup>, and for UV-type III. If national regulations authorize, the tubes can be programmed on a higher level of output as well.

The IP Control can reduce the energy output of the tubes by 25%, and moreover increase their lifespan up to 1,500 hours. Result: lower operational costs.





**we like it**

**easy!**



Quick release hinge system bench

Just lift up the bench and the staff or technician will gain easy access to all parts that need to be reached for maintenance. This way you can replace Xsens cart-ridges, clean and refill the Qsens resevoir and empty the airco reservoir in no time.

The acrylics in the bench and canopy can be opened easily by the quick release system. It makes cleaning and maintenance of acrylic sheets and tubes very easy. It can be done by the staff in a safe and fast way.



# X<sub>10</sub>



X<sub>10</sub> Crystal White with air exhaust tower including warm air return system (WRS)

- Three versions of air extraction are available. In the standard version, air is extracted from a central point at the back of the sunbed, where it is conveyed to the back or upwards. Version 2 is embellished by means of an attractive Air Tower. Version 3 offers the Air Tower with WRS which stands for warm air return system controlled by thermostat. Its status can be monitored at all times by means of the indicator mounted on the Air Tower.





Crystal White

Arctic Blue

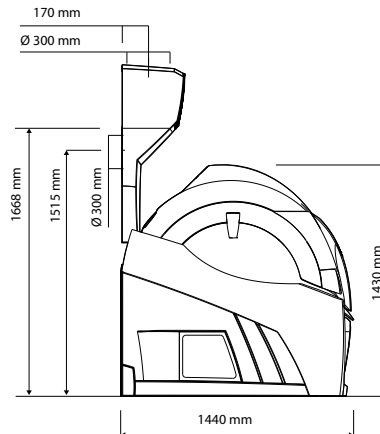
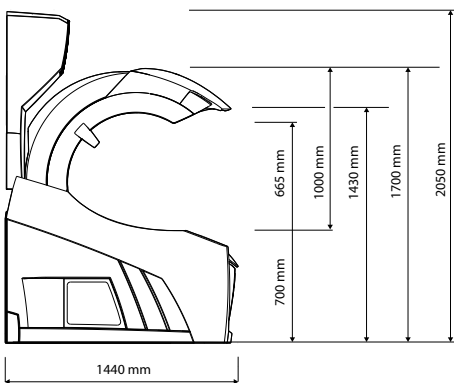
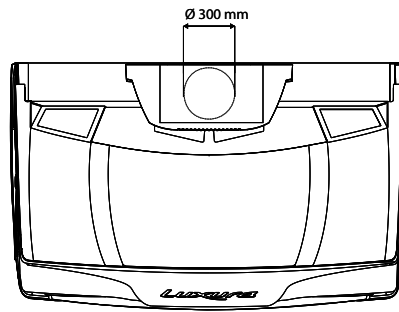
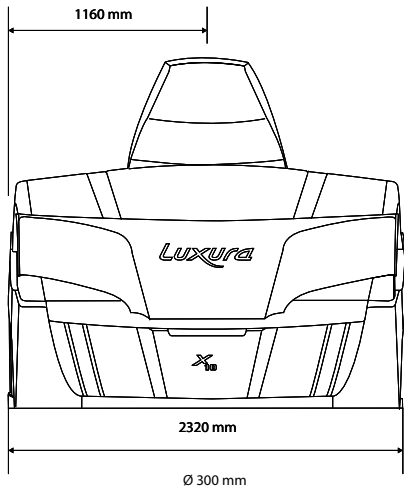
Pearl White

Admoresphere Edition\*

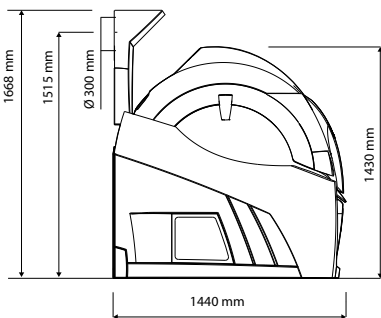
Luxura X <sub>10</sub>	46 SLi	46 SLi Intensive	46 SLi High Intensive	46 SLi IP Control
Tubes top	26 x 100 W	26 x 160 W	26 x 160 W	26 x 80/180 W
Tubes base	20 x 120 W XL	20 x 120 W XL	20 x 180 W XL	20 x 80/180 W XL
Face tanner	4 x 520 W	4 x 520 W	4 x 520 W	4 x 520 W
Central air exhaust capacity (top)	2800 m <sup>3</sup>	2800 m <sup>3</sup>	2800 m <sup>3</sup>	2800 m <sup>3</sup>
Connection	400V/3N~/50Hz	400V/3N~/50Hz	400V/3N~/50Hz	400V/3N~/50Hz
Power (with CliMax)	8,6 kW (9,7 kW)	9,9 kW (11 kW)	11,7 kW (12,4 kW)	12,9 kW (14 kW)
Fuses (with CliMax)	3 x 16 A (3 x 20 A)	3 x 20 A (3 x 20 A)	3 x 25 A (3 x 25 A)	3 x 25 A (3 x 25 A)
Weight	510 kg (CliMax +40 kg)	520 kg (CliMax +40 kg)	530 kg (CliMax +40 kg)	480 kg (CliMax +40 kg)

Technical modifications reserved.

\* Admoresphere Edition includes Ambient FlowLight which allows to choose 15 programmes for beautiful colour effects or choose one out of a selection of 30 constant colours.



Air exhaust tower system  
(optional available with WRS)



Compact air exhaust tower system

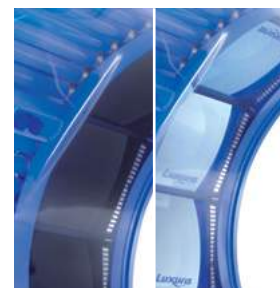
SLi



SLi+



SPS



BPS/HPS





Luxura X <sub>10</sub>	52 SLi	52 SLi Intensive	52 SLi High Intensive	52 SLi IP Control
Tubes top	30 x 100 W	30 x 160 W	30 x 160 W	30 x 80/180 W
Tubes base	22 x 120 W XL	22 x 120 W XL	22 x 180 W XL	22 x 80/180 W XL
Face tanner	4 x 520 W	4 x 520 W	4 x 520 W	4 x 520 W
Central air exhaust capacity (top)	2800 m <sup>3</sup>	2800 m <sup>3</sup>	2800 m <sup>3</sup>	2800 m <sup>3</sup>
Connection	400V/3N~/50Hz	400V/3N~/50Hz	400V/3N~/50Hz	400V/3N~/50Hz
Power (with CliMax)	10,7 kW (11,6 kW)	12,7 kW (13,6 kW)	14,8 kW (15,6 kW)	13,4 kW (14,7 kW)
Fuses (with CliMax)	3 x 20 A (3 x 20 A)	3 x 25 A (3 x 25 A)	3 x 25 A (3 x 25 A)	3 x 25 A (3 x 25 A)
Weight	520 kg (CliMax +40 kg)	530 kg (CliMax +40 kg)	540 (CliMax +40 kg)	485 kg (CliMax +40 kg)

Technical modifications reserved.

# features



## standard

- SPS
- Adjustable face tanners (0-1-2-3)
- ContourPlus
- SoundAround Basic<sup>1</sup>
- XL Light in bench
- 8 steps adjustable body cooler
- 8 steps adjustable face cooler
- DecoLight (stand-by ambiance lighting exterior)
- Quickstart function
- Dust filters
- Smart cooling
- EasyLift acrylic system bench
- Lifiable bench for easy maintenance
- LCD timer display
- Connection for external timer
- Programmable internal timer
- Loudspeakers
- 1 hour counter non-resetable
- 1 hour counter resetable

## optional

- Xsens I
- Xsens III
- Qsens
- HPS
- BPS
- SLi+ (standard feature for the 52 versions)
- CliMax
- SoundAround Plus<sup>2</sup>
- Air exhaust tower
- Air exhaust tower with warm air return system
- Compact air exhaust
- Admoresphere Edition with Ambient FlowLight

<sup>1</sup>Including My MP3, SmartVoice, 4 external music channels, 4 loudspeakers and subwoofer . <sup>2</sup>Including My MP3, SmartVoice, Bluetooth, 4 external music channels, 4 loudspeakers, subwoofer and SD cards for 2 internal music channels (relax music, energetic music or program your own music).



we like X7...





# we like new technology

The stylish appearance of the X<sub>7</sub> is combined with absolute quality in technique. This reflects in a compact, yet very comfortable tanning area and great tanning results!

Choose from a range of optional tanning features that clearly stand for high performance tanning.

- A choice of different versions from 38 or 42 tubes
- SLi face tanner with halogen lamps placed behind a filter.  
Available in 400 W, switchable
- SPi "spaghetti" tubes strategically placed between the tubes for extra face and décolleté tanning at comfortable temperature. An optimal mix of UVA and UVB within the EU norm, switchable
- SPS gives extra attention to the face. In SLi versions the dark blue filter glass allows effective UVA output for direct pigmentation
- BPS filter glass for SLi gives a perfect balance of UVA and UVB up to the optimum allowed by the EU norm of the 0,3 W/m<sup>2</sup> and UV-type III. For extra stimulation of blood circulation, BPS also transmits some infrared. This will enhance the tanning effect, as well as the instant visual effect in the mirror.
- HPS filters for SLi transmit a strong and powerful combination of UVA, UVB and infrared. This highly effective combination will give an instant visual tanning effect in the mirror.



X<sub>7</sub> Crystal White



X<sub>7</sub> Havana Orange 3D, BPS

### Smart cooling

With Smart cooling, the tanning session starts very quietly as the cooling system reacts intelligently to the temperature of the sunbed. Tubes reach optimal operation temperature faster providing best tanning results and tube efficiency.

### CliMax

As refreshing feature CliMax combines three ways to create the most comfortable temperature while tanning. Air-conditioned air is blown between the double acrylics in the bed to cool the lying area. Secondly this exclusive system blows the air-conditioned air via the body cooler at the foot end in a fresh breeze

over the body. A separate face cooler makes the cooling sensation complete. This fine CliMax feature delivers air-conditioned air to the face area. The directions of the face cooler can be adjusted easily. The body cooler and the face cooler can separately be adjusted in 8 power levels.



X<sub>7</sub> Crystal White, SPPr



With optional IP Control the UV-output of the tubes is kept consistently optimal at the EU recommended level. This way, energy output of the tubes can be reduced by 25%, and more over increases the lifespan of the tubes up to 1500 hours. If national regulations authorize, the tubes can be programmed on a higher level of output as well, of 0,3 Watt/per m<sup>2</sup> and for UV-type III.

# we like ambient

Ambient FlowLight underlines the stylish outline of the X<sub>7</sub>. It's used in numerous decorative elements and gives the sophisticated sunbed an irresistible appeal. It allows to choose 15 flow programs for beautiful colour effects or choose one out of a selection of 30 constant colours.

- Ambient FlowLight to highlight Connect line, Centre line and Eyeliners
- 15 flow programmes
- 30 constant colour schemes to change as you wish



X<sub>7</sub>, Crystal White





X<sub>7</sub> Urban Blue Diamond Edition

## we like colours

Luxura X<sub>7</sub> comes in three colours:

- Crystal White
- Urban Blue
- Havana Orange

If you like a more exciting look, opt for an intensely coloured high-gloss finish with 3D effect:

- Urban Blue 3D
- Havana Orange 3D

High gloss coating really brings out the shape of the sunbed and gives it an intriguing 3D look. Even the grip bar is finished in the same high-gloss colour, for a stylish and classy impression.

For a truly brilliant sunbed, choose the Luxura X<sub>7</sub> Diamond Edition which is available for all three colour schemes.

- Whole sunbed including side caps has high-gloss 3D coating in the desired colour
- Inox steel polished DecoShield adds that little bit of extra luxury and extravagance

The sunbed looks XL and as elegant as can be. A real highlight.

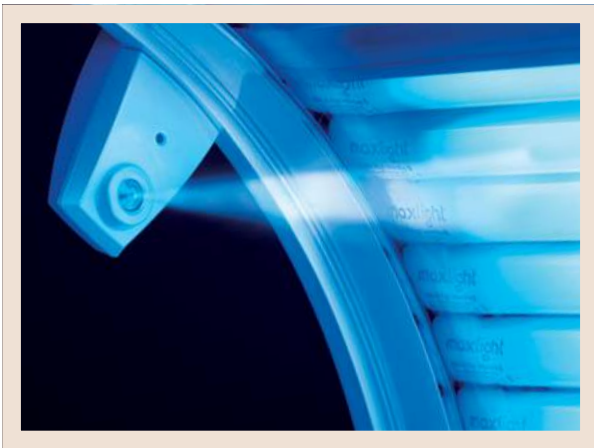


## we like aroma

With the new Xsens III, three different fragrances can be put at the sunbather's disposal. The client chooses a scent at the start of the session and can switch while tanning.

Different delightful scents:

- Ocean
- Blossom
- Sandelwood



## we like it cool

Xsens sprays a gentle mist to cool the tanner. This natural refreshment comes at intervals during the session and can be switched on or off by a simple touch on the display.

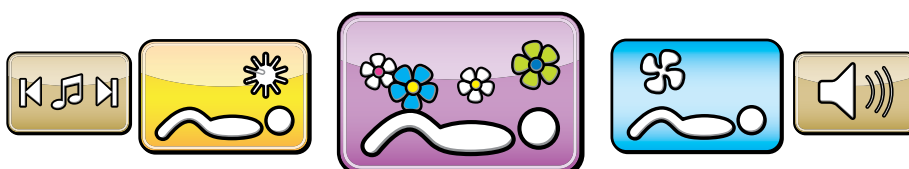




## we like details

Discover the unique full colour display. It's eye-catching and makes you want to navigate through its options at once.

- Smooth, stylish design with truly intuitive handling
- Smart Touch menu with easily understandable icons
- Different tuneable features to choose from
- Within easy reach on the inside of the canopy
- Well-protected by acrylic sheet
- Very bright - display can be read easily, also with protective sunglasses on





# we like entertainment



The high-quality sound system makes every tanning session in the Luxura X, a sensory delight for the ears. The Luxura offers a selection of four music channels that can be played through the four integrated loudspeakers and a subwoofer to bring the music to life. Listen to your own playlist, a selected radio station or relaxed Luxura background music - SoundAround makes it all possible! With SoundAround Plus, in addition to four external channels, there are also two preprogrammed SD cards with relaxing and energising music. All the preprogrammed music is copyright free. As studio owner you can also put your own selection of music on the SD card. The user also has the option of easily plugging in their own MP3 player or smartphone. With the SmartVoice feature a friendly voice guides the sunbathing guest through the sunbed's various options and functions. My MP3 and SmartVoice are included in both SoundAround Basic and Plus.



Moreover, as part of SoundAround Plus the Luxura Bluetooth system offers the possibility to stream music from a smartphone or tablet via a wireless connection. The owner can even assign the booth or sunbed a number and access code. The tanning patron can receive and answer incoming calls as usual while streaming. After the session the Bluetooth connection is ended automatically. The Luxura Bluetooth system is only available in combination with SoundAround Plus.





### Air exhaust

Luxura X<sub>7</sub> comes standard with two air exhaust pipes. As an option it's possible to combine the two exhaust pipes into one by using the air exhaust T-joint. With the optional air exhaust jacketing, the pipes can be elegantly hidden from public view.

# we like good service



Thanks to innovative technical solution details, any employee can carry out the necessary cleaning tasks and the easy maintenance:

- Both acrylic sheets from the bench and canopy can be opened literally single-handedly which makes cleaning the acrylic sheets and tubes very easy as well as changing tubes
- The liftable bench front gives the operator easy access to all parts that need to be reached for easy maintenance
- Easy changing of Xsens cartridges and Qsens jerrycan
- Easy emptying of airco reservoir
- Easy replacement of dust filters





Crystal White Diamond Edition, Urban Blue Diamond Edition or Havana Orange Diamond Edition with stunning inox steel polished elements.

Crystal White

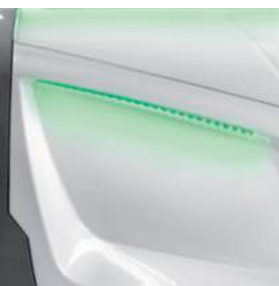
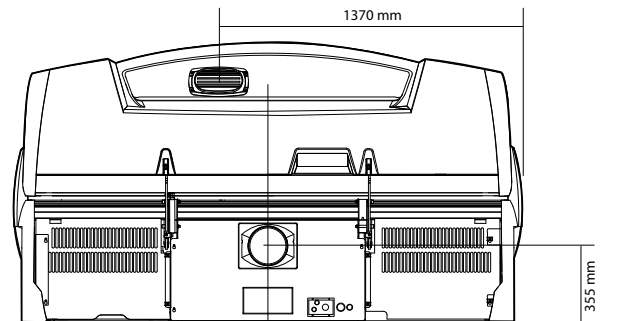
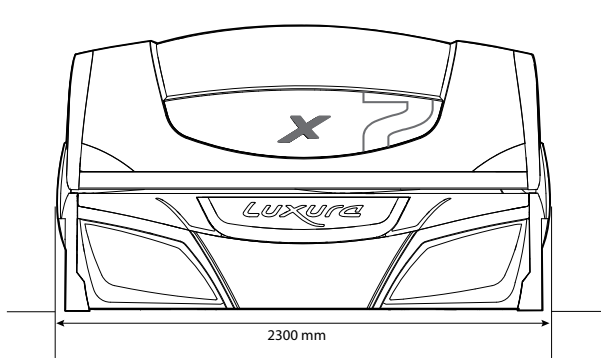
Havana Orange

Urban Blue

Diamond Edition

Luxura X <sub>7</sub>	38 SLi	38 SLi Intensive	38 SLi High Intensive	38 SLi IP Control	38 SP <sub>r</sub>
Tubes top	22 x 100 W	22 x 160 W	22 x 160 W	22 x 80/180 W	22 x 120 W
Tubes base	16 x 120 W XL	16 x 120 W XL	16 x 180 W XL	16 x 80/180 W XL	16 x 120 W XL
Face tanner	3 x 400 W	3 x 400 W	3 x 400 W	3 x 400 W	20 x 25 W
Central air exhaust capacity (top)	2000 m <sup>3</sup>	2000 m <sup>3</sup>	2000 m <sup>3</sup>	2000 m <sup>3</sup>	2000 m <sup>3</sup>
Connection	400V/3N~/50Hz	400V/3N~/50Hz	400V/3N~/50Hz	400V/3N~/50Hz	400V/3N~/50Hz
Power (with CliMax)	6,5 kW (7,6 kW)	7,7 kW (8,8 kW)	8,5 kW (9,8 kW)	9,2 kW (10,2 kW)	5,4 kW (6,8 kW)
Fuses (with CliMax)	3 x 16 A (3 x 16 A)	3 x 16 A (3 x 16 A)	3 x 16 A (3 x 20 A)	3 x 20 A (3 x 20 A)	3 x 16 A (3 x 16 A)
Weight	380 kg (CliMax +40 kg)	395 kg (CliMax +40 kg)	410 kg (CliMax +40 kg)	380 kg (CliMax +40 kg)	380 kg (CliMax +40 kg)

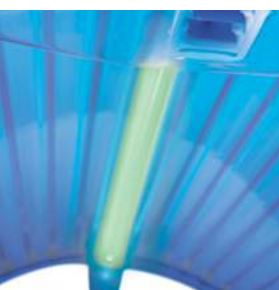
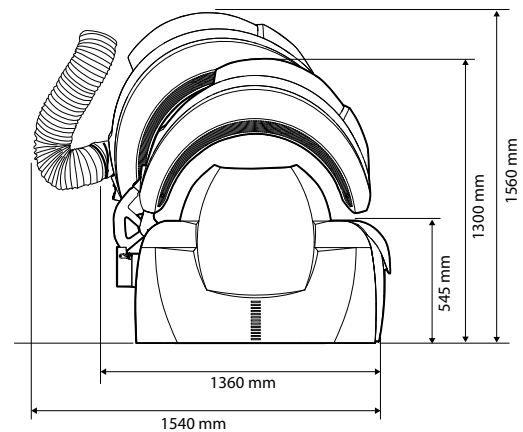
Technical modifications reserved.



**Eyeliner:**  
An optional Ambient FlowLight element at the front panel of the bench



**Connect line:**  
An Ambient FlowLight element that connects the bench and canopy



**Centre line:**  
An Ambient FlowLight element that runs in the centre of the canopy

Brandshield in inox steel polished



SPS



BPS/HPS







Luxura X <sub>7</sub>	42 SLi	42 SLi Intensive	42 SLi High Intensive	42 SLi IP Control
Tubes top	24 x 100 W	24 x 160 W	24 x 160 W	24 x 80/180 W
Tubes base	18 x 120 W XL	18 x 120 W XL	18 x 180 W XL	18 x 80/180 W XL
Face tanner	4 x 400 W	4 x 400 W	4 x 400 W	4 x 400 W
Central air exhaust capacity (top)	2000 m <sup>3</sup>	2000 m <sup>3</sup>	2000 m <sup>3</sup>	2000 m <sup>3</sup>
Connection	400V/3N~/50Hz	400V/3N~/50Hz	400V/3N~/50Hz	400V/3N~/50Hz
Power (with CliMax)	7,3 kW (8,5 kW)	8,3 kW (9,5 kW)	9,7 kW (10,9 kW)	10,1 kW (11,4 kW)
Fuses (with CliMax)	3 x 16 A (3 x 16 A)	3 x 16 A (3 x 20 A)	3 x 20 A (3 x 20 A)	3 x 20 A (3 x 20 A)
Weight	395 kg (CliMax +40 kg)	410 kg (CliMax +40 kg)	425 kg (CliMax +40 kg)	395 kg (CliMax +40 kg)

Technical modifications reserved.

# features



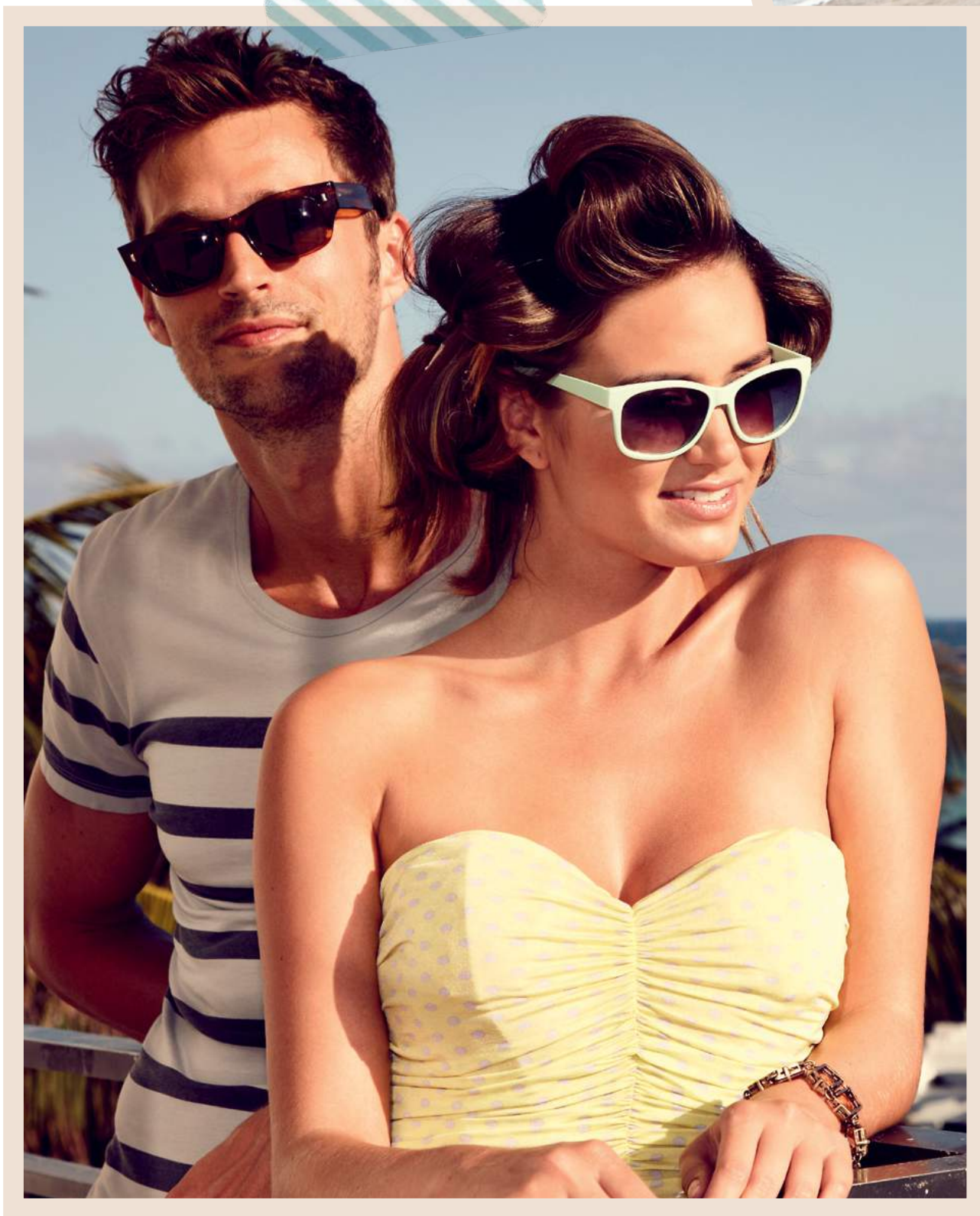
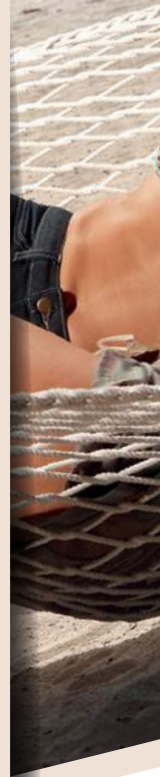
## standard

- SPS (not for 38 SPPr)
- Adjustable face tanners (0-1-2-3)
- ContourPlus
- XL light in bench
- Full colour display
- Smart touch control
- 8 steps adjustable body cooler
- 8 steps adjustable face cooler
- Dust filters
- Smart cooling
- EasyLift acrylic system bench
- Front Panel Easy Move
- Quickstart function
- Programmable internal timer
- Connection for external timer
- Loudspeakers
- 1 hour counter non-resetable
- 2 hour counters resetable
- Ambient FlowLight for Decoshield, Brandshield, Centre line and Connect line

## optional

- Ambient FlowLight Eyeliner
- HPS (not for 38 SPPr)
- BPS (not for 38 SPPr)
- SoundAround Basic<sup>1</sup> (standard for 42 tubes versions)
- SoundAround Plus<sup>2</sup>
- Xsens I
- Xsens III
- Qsens
- CliMax
- Pre-wiring<sup>3</sup>
- Air extraction adapter (2 x 180mm → 300mm)
- Air extraction cover
- High gloss coating with 3D effect<sup>4</sup>
- Inox steel polished panels Decoshield/Brandshield

<sup>1</sup>Including My MP3, SmartVoice, 4 external music channels, 4 loudspeakers and subwoofer. <sup>2</sup>Including My MP3, SmartVoice, Bluetooth, 4 external music channels, 4 loudspeakers, subwoofer and SD cards for 2 internal music channels (relax music, energetic music or program your own music). <sup>3</sup>Gives opportunity to install Xsens and SoundAround afterwards (only Xsens at the 42 tubes versions). <sup>4</sup>Only available for Havana Orange and Urban Blue.





we like  
X5...







X<sub>5</sub> Luxury Front Panel with Brandshield including Ambient FlowLight and ContourPlus

# we like talents



Luxura X<sub>5</sub> with its pioneering design is your entry to premium tanning in this product segment. It already comes standard with a wide range of features and can be boosted to a high-class product just by adding extra features, such as:

- Luxury front panel with Brandshield and Ambient FlowLight for beautiful colour effects at choice
- Optional ContourPlus, the ergonomically shaped acrylic shield which supports the sunbather's body, making the tanning experience as comfortable as can be

X<sub>SLI</sub>



ambient  
flow  
LIGHT

contour  
PLUS



X<sub>3</sub> Luxury Front Panel with Brandshield including Ambient FlowLight and Contour Plus, SLi



# unique in its class



- Stylish full colour display with intuitive handling and smart touch control
- Smart cooling system

Options:

- Xsens with one scent or three different scents that the user can change during the session.
- Qsens sprays a fresh breeze of mist all over the sunbather's body at intervals
- SmartVoice: a friendly voice will guide the user through the different functions
- SoundAround Basic and SoundAround Plus, including My MP3 offer the sunbather the possibility to listen to music channels or a personal playlist.
- As part of SoundAround Plus the Luxura Bluetooth system provides a fast wireless connection for streaming music through the sunbed speakers from a smartphone or tablet. A unique aspect of this system is the possibility for you, the operator, to set the name of the Bluetooth receiver and an access code yourself.
- Climax air conditioning ensures that the temperature remains comfortable throughout the tanning session. A refreshing breeze subtly cools the face and body.

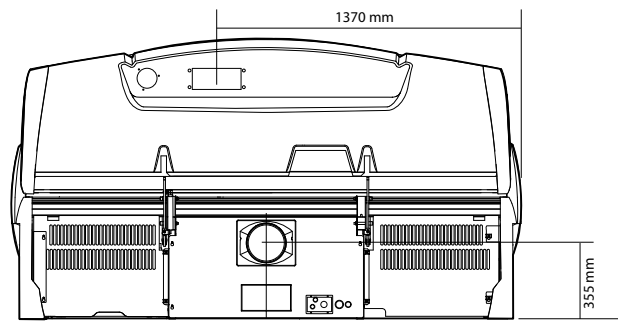
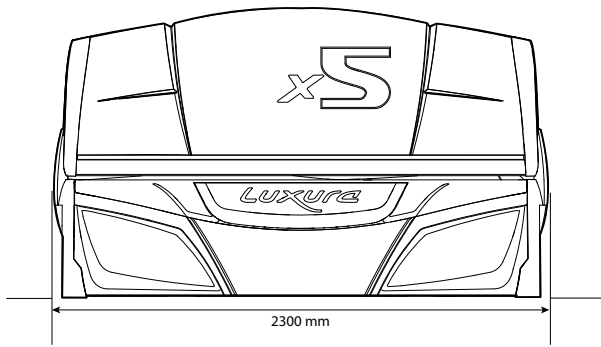




X<sub>5</sub>



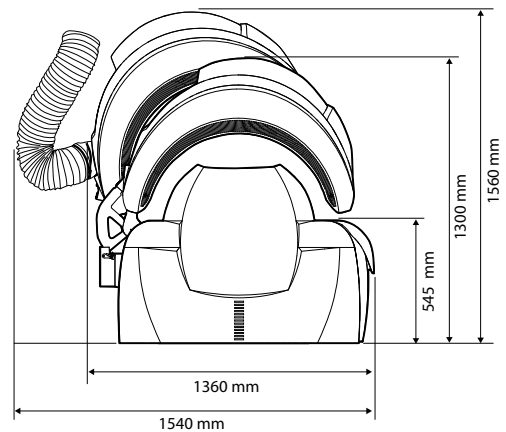
X<sub>5</sub> Basic



## we like good service

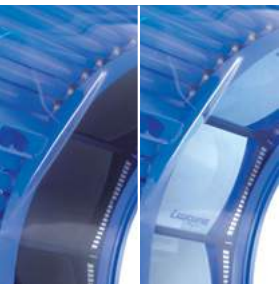
Luxura X<sub>5</sub> stands for easy service and maintenance that can be carried out by any employee.

- Easy replacement of tubes or high pressure lamps
- Easy cleaning
- Easy refilling of Xsens cartridges and Qsens reservoir
- Easy emptying of airco reservoir
- Easy cleaning or changing of dust filters



SPS

BPS/HPS



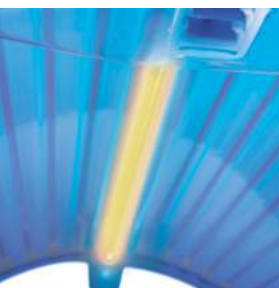
Crystal White



Connect line:  
An optional Ambient FlowLight element that connects the bench and canopy



Front Panel standard



Centre line:  
An optional Ambient FlowLight element that runs in the centre of canopy



Front Panel with Brandshield and Ambient FlowLight (standard for X<sub>5</sub> 38 SLi)

Luxura X <sub>s</sub>	34 SLi	34 SLi Intensive	34 SLi High Intensive	34 SP <sub>r</sub>
Tubes top	18 x 100 W	18 x 160 W	18 x 160 W	18 x 120 W
Tubes base	16 x 120 W XL	16 x 120 W XL	16 x 180 W XL	16 x 120 W XL
Face tanner	3 x 400 W	3 x 400 W	3 x 400 W	14 x 25 W
Central air exhaust capacity (top)	2000 m <sup>3</sup>	2000 m <sup>3</sup>	2000 m <sup>3</sup>	2000 m <sup>3</sup>
Connection	400V/3N~/50Hz	400V/3N~/50Hz	400V/3N~/50Hz	400V/3N~/50Hz
Power (with CliMax)	6 kW (7,3 kW)	7,1 kW (8,3 kW)	8,1 kW (9,4 kW)	4,8 kW (5,9 kW)
Fuses (with CliMax)	3 x 16 A (3 x 16 A)	3 x 16 A (3 x 20 A)	3 x 16 A (3 x 20 A)	3 x 16 A (3 x 16 A)
Weight	365 kg (CliMax + 40 kg)	380 kg (CliMax + 40 kg)	395 kg (CliMax + 40 kg)	365 kg (CliMax + 40 kg)

Technical modifications reserved.

# features



## standard

- SPS (not for 34 SP<sub>r</sub>)
- Adjustable face tanners (0-1-2-3)
- XL light in bench
- Full colour display
- Smart touch control
- 8 steps adjustable body cooler
- 8 steps adjustable face cooler
- Dust filters
- Smart cooling
- EasyLift acrylic system bench
- Front Panel Easy Move
- Quickstart
- Programmable internal timer
- Connection for external timer
- Loudspeakers
- 1 hour counter non-resetable
- 2 hour counters resetable

## optional

- Ambient FlowLight for Centre line
- Ambient FlowLight for Connect line<sup>1</sup>
- Luxury Front Panel with Brandshield and Ambient FlowLight<sup>1</sup>
- HPS (not for 34 SP<sub>r</sub>)
- BPS (not for 34 SP<sub>r</sub>)
- ContourPlus (standard feature for 34 SLi High Intensive)
- SoundAround Basic<sup>2</sup>
- SoundAround Plus<sup>3</sup>
- Xsens I
- Xsens III
- Qsens
- CliMax<sup>4</sup>
- Pre-wiring<sup>5</sup>
- Air extraction adapter (2 x 180mm → 300mm)
- Air extraction cover

<sup>1</sup>Only in combination with Ambient FlowLight Centre line. <sup>2</sup>Including My MP3, SmartVoice, 4 external music channels, 4 loudspeakers and subwoofer.

<sup>3</sup>Including My MP3, SmartVoice, Bluetooth, 4 external music channels, 4 loudspeakers, subwoofer and SD cards for 2 internal music channels (relax music, energetic music or program your own music). <sup>4</sup>Only in combination with ContourPlus. <sup>5</sup>Gives opportunity to install Xsens and SoundAround afterwards.





Signature





**we like X3...**

## we like a solid base



Luxura X<sub>3</sub> is how easiness is spelled: It is the strong all-round talent to enter the Luxura segment. X<sub>3</sub> displays a fresh, compact and up-to-date design that comes in different fashionable colours, so the operator can keep up with the latest trends:

- Pearl White
- Fuchsia Pink

Upgrade the Luxura X<sub>3</sub> with 'Connecting shield' to add more luxury to the sunbed. The optional 'Connecting shield plus' includes Ambient FlowLight, My MP3 and SoundBox to turn tanning into an exciting musical enjoyment.

All features that can be operated by the user, are fit into a clarifying display panel, which is easy to use.



X<sub>3</sub> Fuchsia Pink with Connecting Shield Plus



# X<sub>3</sub>



X<sub>3</sub> Fuchsia Pink with Connecting shield plus, SLi



Luxura X<sub>3</sub> comes standard with EcoPower, the electronic ballasts that not only allow the configuration of the tubes to be optimised but also generate energy savings of approximately 25%. Choose between 30 SLi, 30 SP<sub>r</sub>, 32 SLi, and 32 SLi Intensive. Depending on the configuration, face tanners vary between one and three 400-watt lamps, while the SP<sub>r</sub> version has 9 x 25 'spaghetti' tubes.



XL Light, 2-m-long tubes, expand the tanning surface to a maximum and ensure a head-to-toe tan without concessions.



X<sub>3</sub> Pearl White with Connecting shield plus, SP<sub>r</sub>





Optional central air extraction, top



"Easy clean" click-profile bench



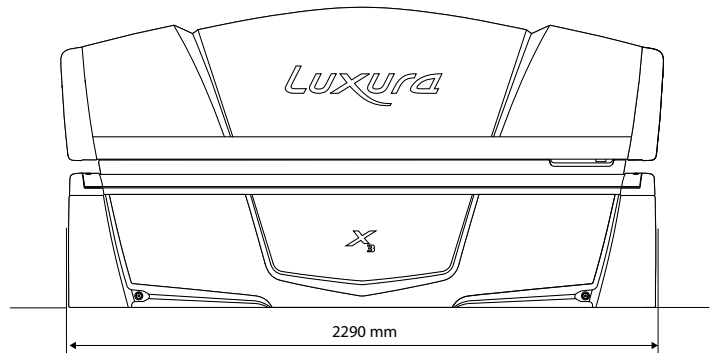
The body cooler at the foot end is fitted as standard and ensures a pleasant temperature while tanning



For the super cool, the Luxura X<sub>3</sub> can also be fitted with a separate face cooler at the head end.

## we like ideas

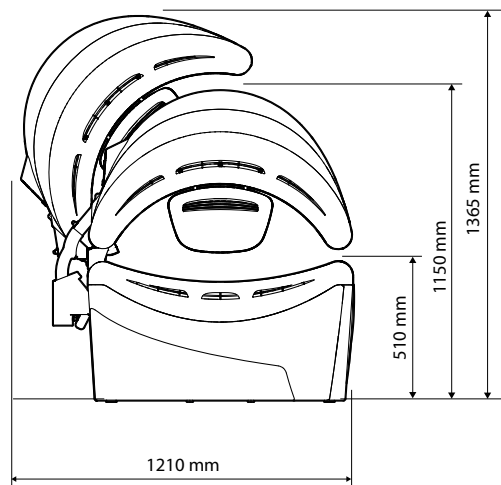
EasyClean click-profile makes maintenance as easy as can be: easy reach of tubes and facial filters - a fast way of cleaning and switching lamps.



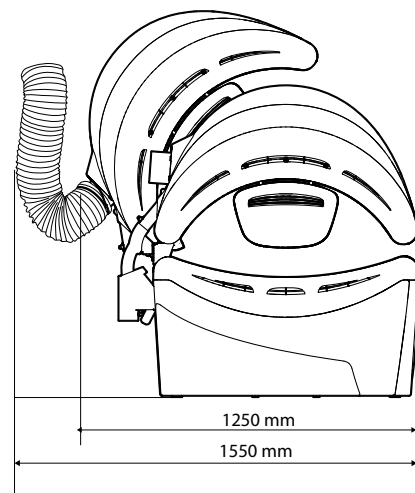
The Luxura X<sub>3</sub> comes with a choice of three different decorative solutions for the connecting space between canopy and bench.



Deco caps  
'Deco caps' are fitted as standard.



Connecting shield  
In the configuration 'Connecting shield' provides a silver screen throughout the whole length of the sunbed for an integrated, unified look.



Connecting shield plus  
This version comes with a high quality decorative lighted screen. Ambient FlowLight as well as My MP3 and SoundBox are integrated.



Pearl White

Fuchsia Pink

Luxura X <sub>3</sub>	30 SLi	30 SPr	32 SLi	32 SLi Intensive
Tubes top	10 x 120 W XL + 6 x 100 W	16 x 120 W XL	18 x 100 W	18 x 160 W
Tubes base	14 x 120 W XL	14 x 120 W XL	14 x 120 W XL	14 x 120 W XL
Face tanner	1 x 400 W	9 x 25 W	3 x 400 W	3 x 400 W
Central air exhaust capacity (top)	700 m <sup>3</sup>	700 m <sup>3</sup>	700 m <sup>3</sup>	700 m <sup>3</sup>
Connection	400V/3N~/PE/50Hz or 230V/1N~/PE/50Hz	400V/3N~/PE/50Hz or 230V/1N~/PE/50Hz	400V/3N~/PE/50Hz or 230V/1N~/PE/50Hz	400V/3N~/PE/50Hz or 230V/1N~/PE/50Hz
Power	3,0 kW	2,8 kW	3,8 kW	4,7 kW
Fuses	3 x 10 A or 1 x 16 A	3 x 10 A or 1 x 16 A	3 x 10 A or 1 x 20 A	3 x 10 A or 1 x 25 A
Weight	198 kg	201 kg	217 kg	225 kg

Technical modifications reserved.

# features



## standard

- SPS (not for 30 SPr)
- Face tanners (on/off)
- XL Light
- Eco power bench<sup>1</sup>
- 3 steps adjustable body cooler
- "Easy clean" click-profile bench
- Deco caps
- Digital timer
- Programmable internal timer
- Connection for external timer
- Hour counter

## optional

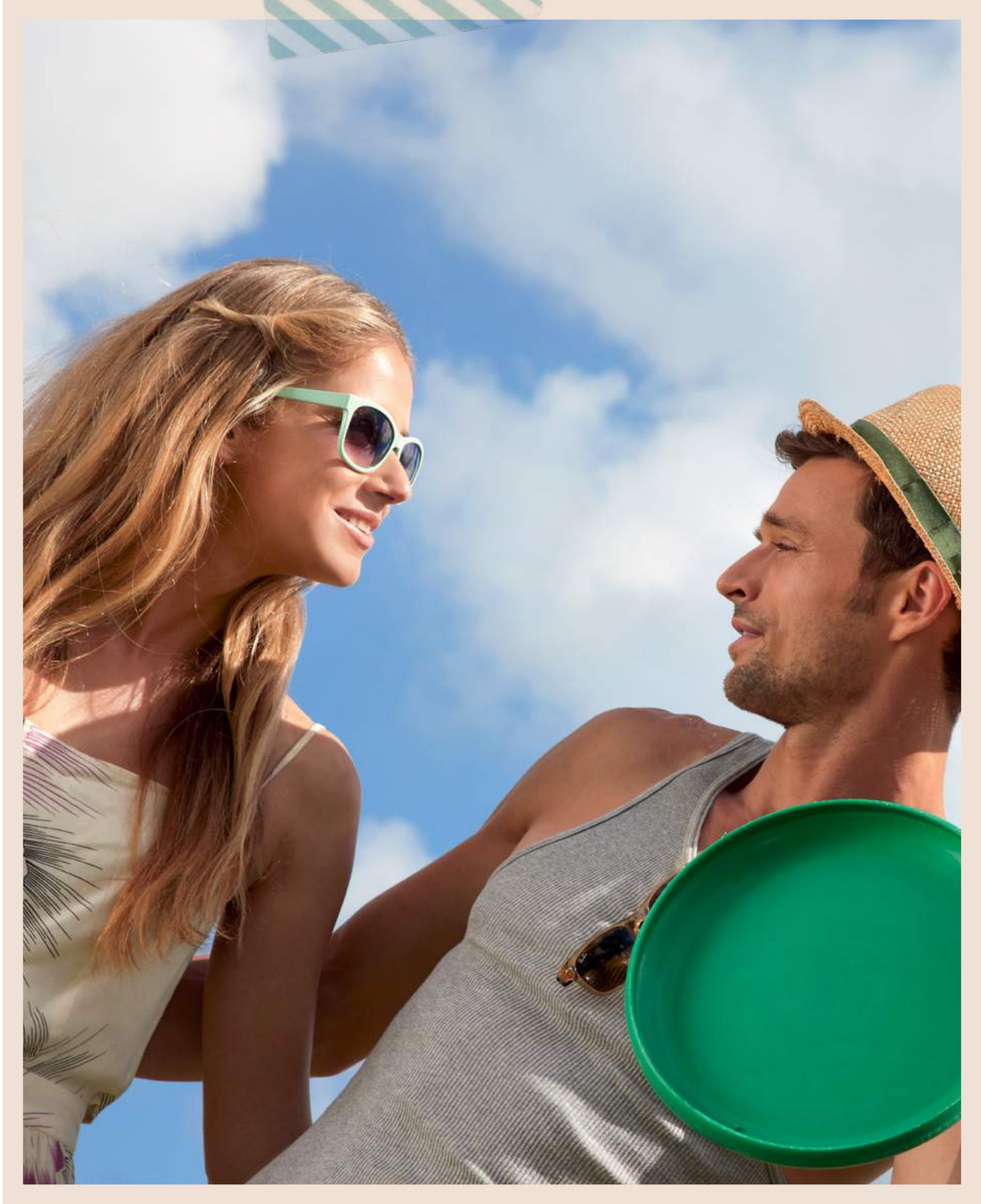
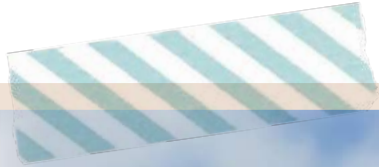
- Connecting shield
- Connecting shield plus with Ambient FlowLight, Soundbox and My MP3
- Central air exhaust top
- Cover for closure backside
- Face cooler

<sup>1</sup>The electronic ballasts - integrated as standard - ensure energy savings of at least 25%.











The Luxura air-conditioning system ensures a pleasant temperature as you lie back on the ergonomically shaped reclining surface. A wonderful refreshing breeze - adjustable at different levels - gently touches body and face.



Wellness tanning for all the senses. Whenever a pleasant atmosphere in the tanning tunnel is desired, Xsens will distribute a wonderful scent throughout the interior of the Luxura. It's like a breath of fresh air in the fragrances Ocean, Blossom or Sandelwood. Choose between Xsens I (one fragrance for your Luxura) and Xsens III (three fragrances).



This Intelligent Power Control System guarantees, during the entire lifecycle of the tubes, an optimal output of 0,3 W/m<sup>2</sup> in conformance with the EU regulation. IP Control achieves a tube lifecycle of 1500 hours! Energy consumption of the tubes will reduce up to 25%.



The smart Bluetooth system allows tanners to easily connect their own smartphone or small tablet to the sound system for great audio experiences. This way they can instantly play their own music while tanning. No cables needed - simply play & tan.



Naturally refreshing. A wonderful, gentle mist is sprayed across the body at intervals.



Pump up the volume. Via the four integrated loudspeakers and a subwoofer, the Luxura will turn any type of music from up to four different music channels into a fabulous sound show. My MP3 and SmartVoice are included.



In addition to SoundAround Basic Sound Around Plus includes SD cards providing two extra internal music channels (relax music, energetic music or program your own music).



In addition to the four optional music channels from the SoundAround package, the user may plug in his own MP3 player, in order to enjoy his own favourite sounds.



A friendly voice will guide the user acoustically through the different functions. It will describe all possibilities, turning the tanning session into a veritable miniature holiday.



This facial tanner, with a single socket mounting, has a specially developed tanner-reflector combination, which ensures first-class tanning results (for X<sub>10</sub> only).



High Power System: a special filter for the SLi facial tanner. For more efficiency, direct pigmentation, and a visual mirror effect.



Balanced Power System: a special filter for the SLi facial tanner. For more efficiency, direct pigmentation, and a visual mirror effect. Especially developed for EU-type III and 0,3.



The attractive lighting concept with integrated DecoLight provides an extra sense of well-being during the tanning session. And the sunbed will look appealing at all times - even in stand-by mode.



The XL tubes, which have a length of two metres, ensure an even, all-over tan.



The fading colour flow with a nearly inexhaustible range of colours provides an extra sense of atmosphere.



The electronic ballasts - integrated as standard - ensure energy savings of at least 25% (for X<sub>3</sub> only).



Feel the comfort of the ergonomically formed surface, which follows the body shape.







**Sunny certainty**

A choice for Luxura sunbeds is a choice for certainty. All the appliances meet the most stringent safety regulations and have the CE and/or KEMA quality marks. Moreover, the appliances are carefully developed in accordance with the latest standards for tanning equipment. There's no better way to ensure responsible tanning!

[www.vdlhapro.com/luxura](http://www.vdlhapro.com/luxura)

